

ML681F Foam Soap Dispenser

Material Specifications

- ABS Body and Push Button

Mounting

- Surface Mount Concealed Fix

Dimensions

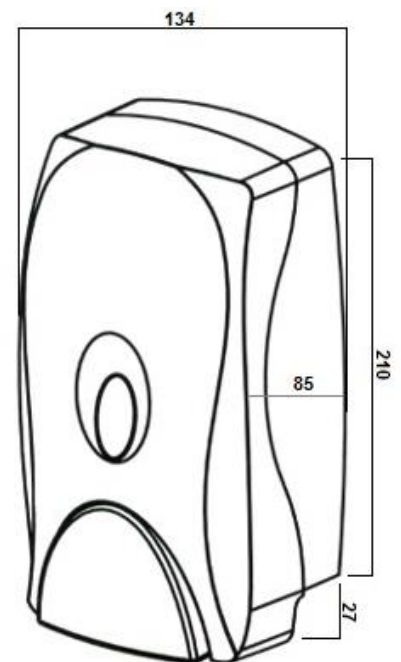
- 134mmW x 237mmH x 85mmD

Installation Guidelines

- *May be subject to Australian Building Code Regulations for height and location fixing and may be subject to placement as per architectural drawings. In all cases, this is the responsibility of the installer.*
1. To open the dispenser, press the hidden lever up (located at the bottom of the unit) this will release the latch and the front will spring down.
 2. Determine appropriate installation height and location using the mounting holes at the back of the soap dispenser.
 3. Drill holes at the marked locations and insert plastic anchors (supplied).
 4. Insert two screws (supplied) into top plastic anchors and leave 1/8" space from the wall under head for hanging dispenser.
 5. Hang the dispenser on the 2 screws through the keyhole slots on the top of the backplate.
 6. Remove soap reservoir and lock dispenser to the wall with the remaining two screws (supplied) through the holes at the bottom of the backplate.
 7. Tighten all screws and ensure unit is level. Insert the soap reservoir and close the unit to finish installation.

Features

- Provides one foam spray per pump
- Liquid Level Indicator
- Hidden Lock Design (keyless feature)
- 750mL Removable Reservoir



This product is AS1428.1 compliant (accessible compliant) when installed in accordance with the guidelines.

The technical recommendations contained in this document are necessarily of a general nature and should not be relied on for specific applications without first securing competent advice. Whilst Metlam Australia Pty Ltd has taken all reasonable steps to ensure the information contained herein is accurate and current, it does not warrant the accuracy or completeness of the information and does not accept liability for errors or omissions. Any Commercial product should only be installed by a competent tradesperson and serviced/maintained by knowledgeable janitorial staff or competent people. Metlam Australia accepts no responsibility for any damage to product, walls or fixtures due to incorrect installation or maintenance of any of their products.

The photographs and line drawings of the products presented above are representational only.
Metlam Australia Pty Ltd reserves the right to, and from time to time, make changes and improvements in design and dimensions.